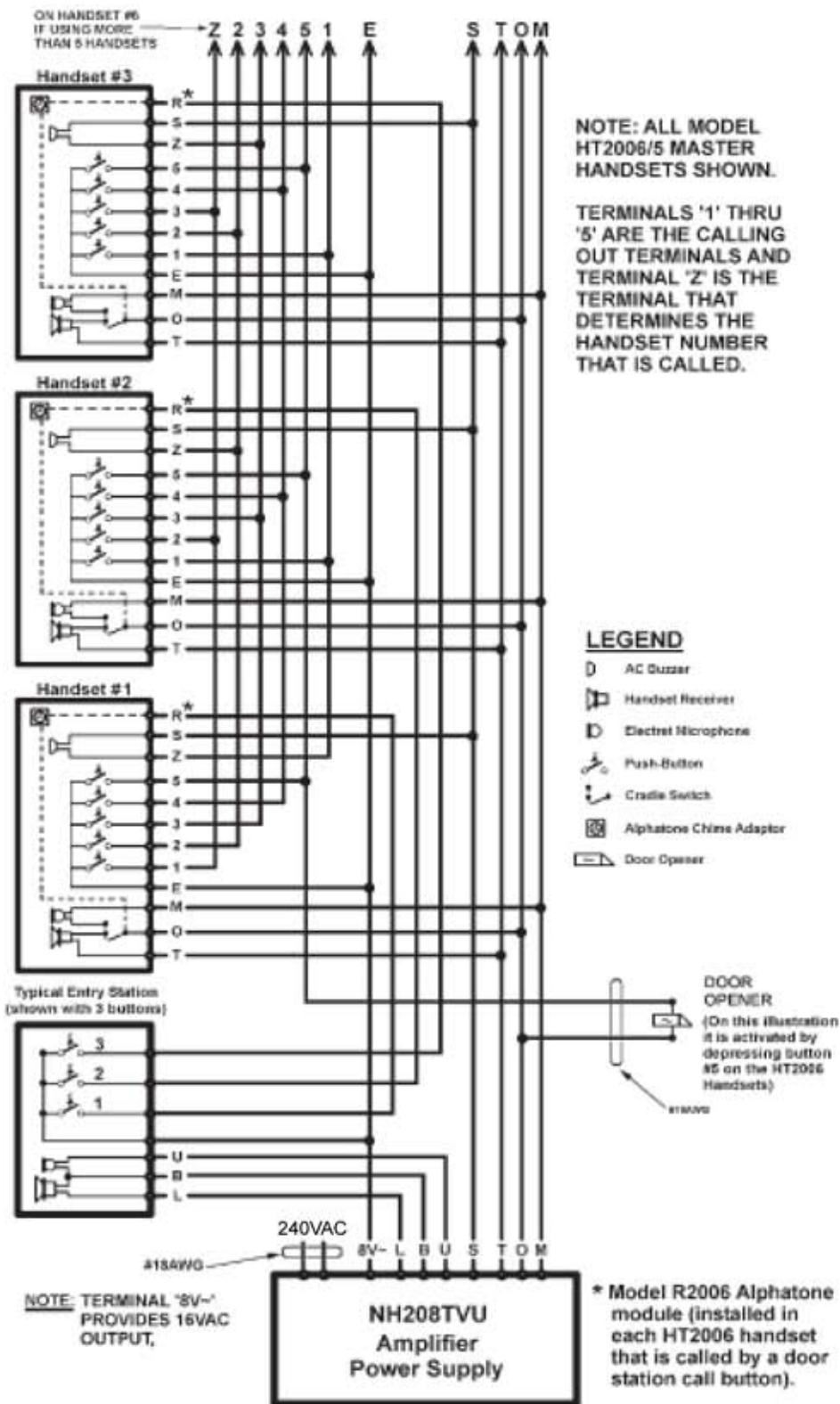


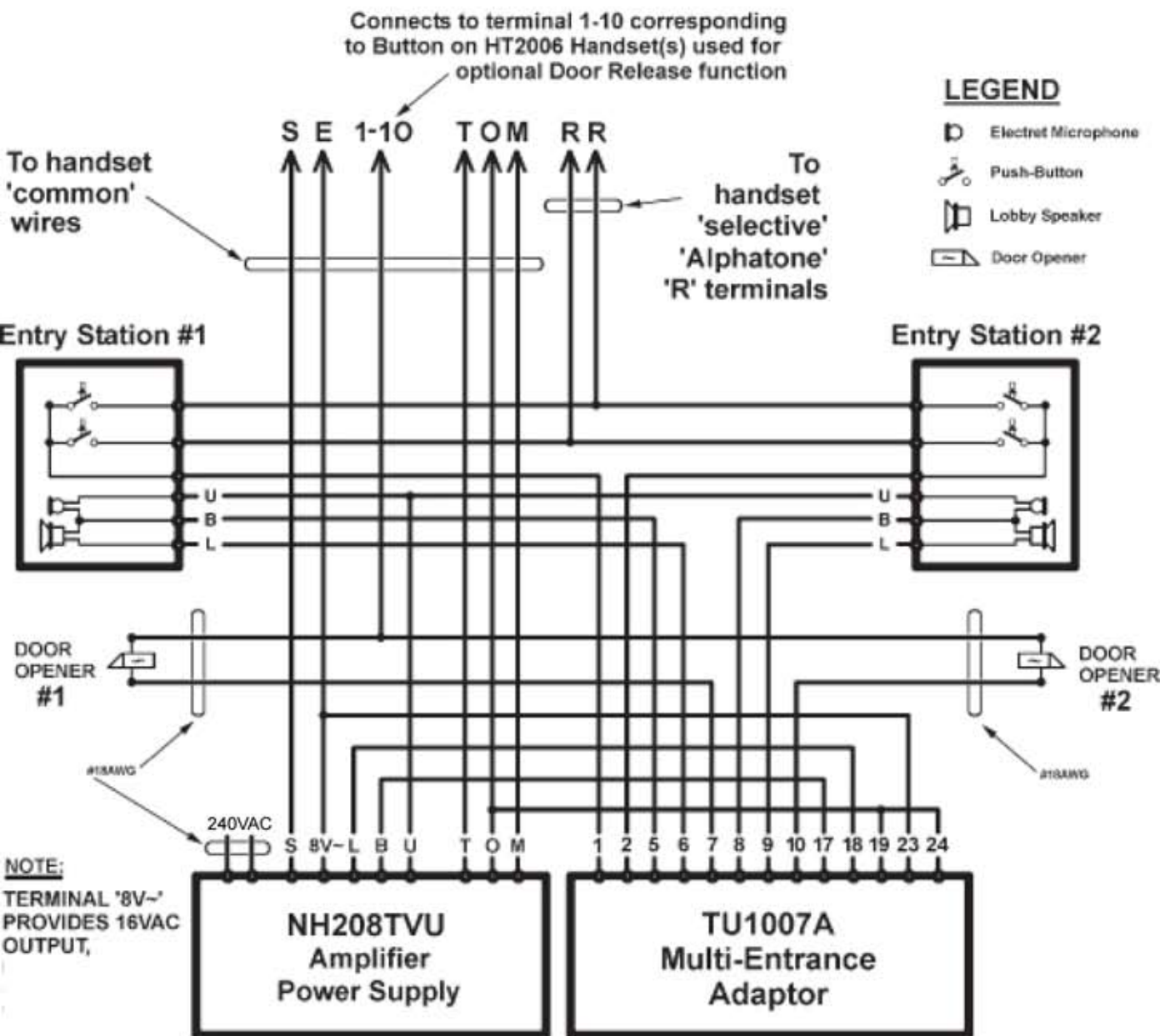
TYPICAL WIRING LAYOUT DIAGRAM FOR UP TO SIX (6) HT2006/5 MASTER HANDSET STATIONS AND 1 DOOR STATION



Notes:

1. All other wiring can be #22AWG unless shown otherwise. If any wire run exceeds 750 feet use #18AWG in place of the #22AWG.
2. The most recent NH208TVU has two (2) 'O' and '8V' terminals. They are duplicated for ease of wiring. You may use either or both. Both sets are internally connected together inside the NH208TVU on the p.c. board.
3. Observe all local and national electrical codes.
4. All terminals connections shown may not be in the order that they appear on the equipment.

**TYPICAL WIRING LAYOUT DIAGRAM FOR NH208TVU AMPLIFIER
USED WITH TU1007A DUAL ENTRANCE ADAPTOR
AND 2 DOOR STATIONS**



NOTE:
TERMINAL '8V-'
PROVIDES 16VAC
OUTPUT,

Notes:

1. All other wiring can be #22AWG unless shown otherwise. If any wire run exceeds 750 feet use #18AWG in place of the #22AWG.
2. The most recent NH208TVU has two (2) 'O' and '8V' terminals. They are duplicated for ease of wiring. You may use either or both. Both sets are internally connected together inside the NH208TVU on the p.c. board.
3. Observe all local and national electrical codes.
4. All terminals connections shown may not be in the order that they appear on the equipment.
5. See also the wiring diagram on page 4 for handset to handset wiring connections.