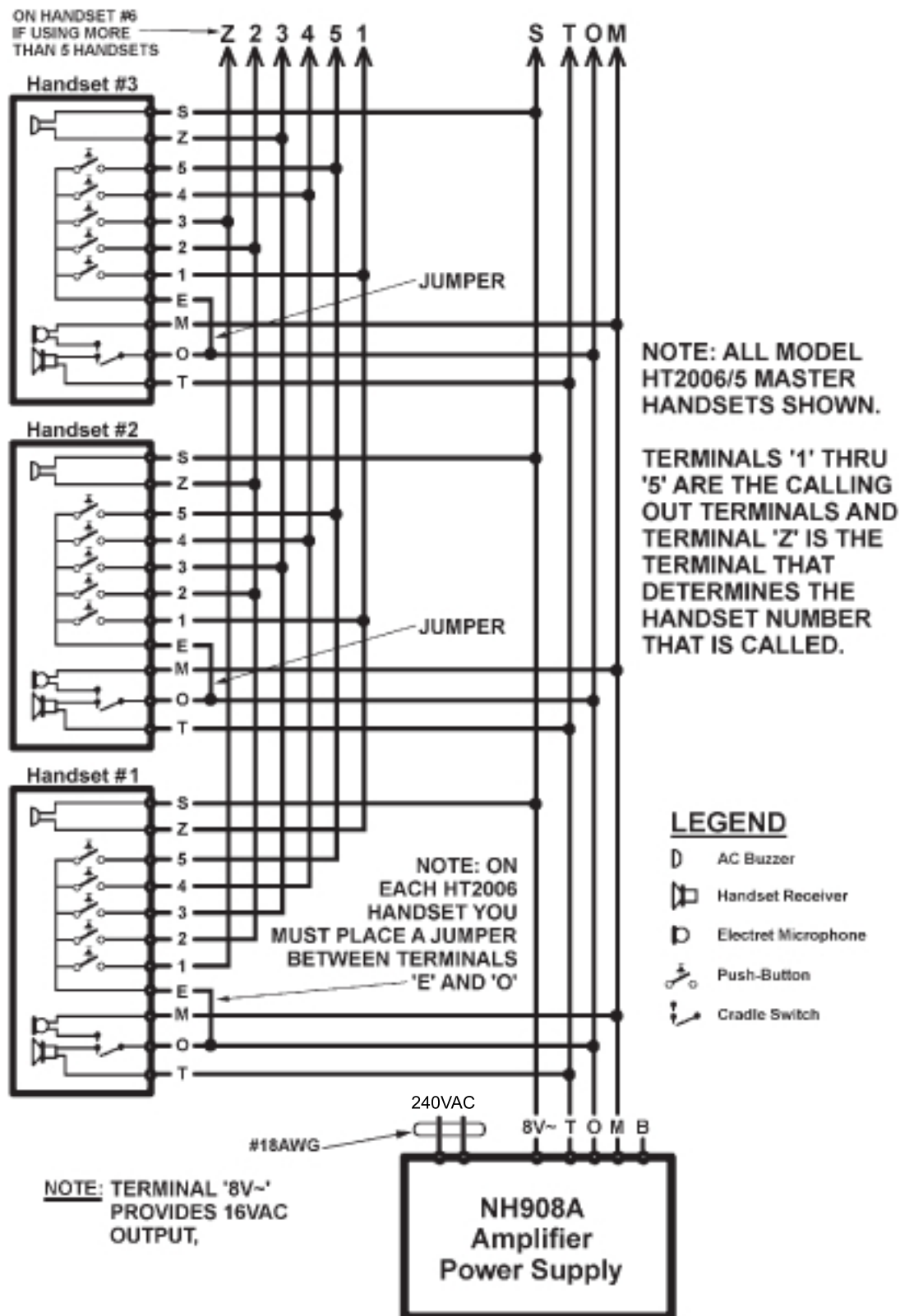


# TYPICAL WIRING LAYOUT DIAGRAM FOR UP TO SIX (6) HT2006/5 MASTER HANDSET STATIONS



## Notes:

1. All other wiring can be #22AWG unless shown otherwise. If any wire run exceeds 750 feet use #18AWG in place of the #22AWG.
2. Observe all local and national electrical codes.
3. All terminals connections shown may not be in the order that they appear on the equipment.